



OFFICE CATALOG
PRICE GUIDE - USD 2022

EZO
B O R D

INDEX

| | |
|---|----|
| PYRAMID..... | 1 |
| OBI MOBILE OFFICE DIVIDER..... | 2 |
| HOODY DESKTOP COVE..... | 4 |
| HOODY..... | 5 |
| HOODY RETURN SCREENS..... | 6 |
| BENCH SCREEN SYSTEM..... | 7 |
| MODESTY SCREEN..... | 10 |
| DESK SCREEN SYSTEM..... | 12 |
| DESK RETURN SCREENS..... | 15 |
| KAYRA CURVED SCREENS..... | 16 |
| KULMA CORNER SCREENS..... | 17 |
| WORK ZONE DIVIDERS MODULAR..... | 18 |
| HARDWARE..... | 20 |
| CONDITIONS OF SALE, RETURN POLICY & WARRANTY..... | 21 |

Note on Shipping:

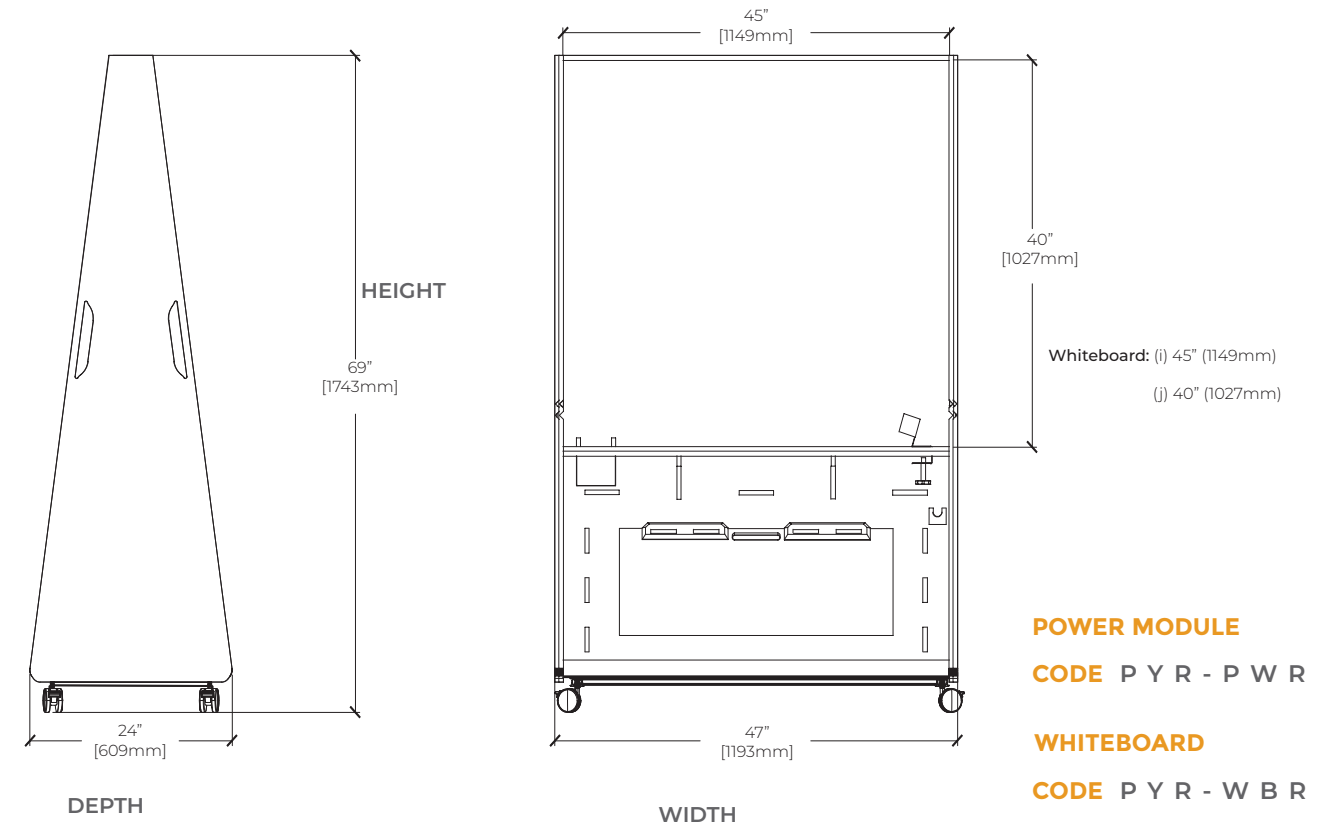
Shipping included on all orders +\$5,000 LIST

Orders -\$5,000 LIST subject to freight/handling surcharge of \$149 DEALER NET



PYRAMID

CODE **P Y R - X X - X X - X X - X X X X**
PRODUCT DEPTH HEIGHT THICKNESS COLOR



PYR-24-69-12-XXXX

Depth 24" (609mm), Height 69" (1743mm), Thickness 1/2" (12mm)

\$2,440

ADD-ONS

PYR-PWR

Power Module

\$325

PYR-WBR

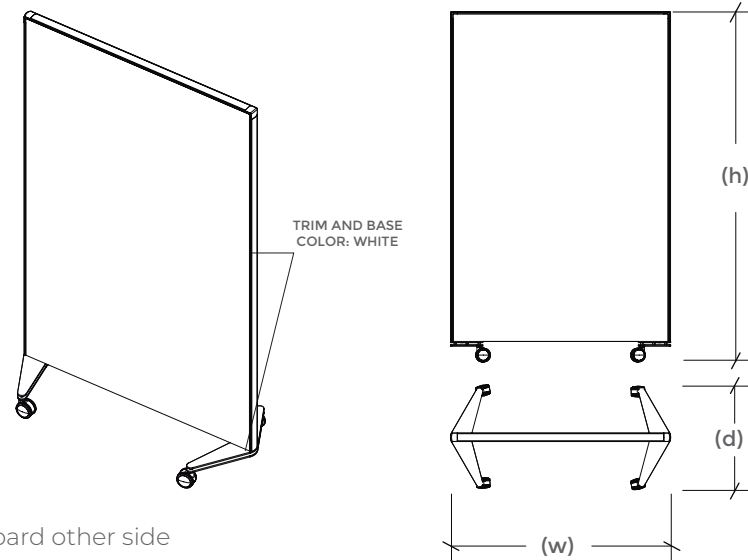
Whiteboard

\$325

OBI MOBILE OFFICE DIVIDER

CODE **O B 2 - X X X - X X - X X - X X - X X X X X - X X X X**
PRODUCT STYLE WIDTH HEIGHT PATTERN COLOR (BASE LAYER*) COLOR (SURFACE LAYER*)

OBI DIVIDER

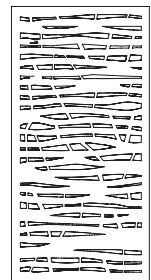


STYLE

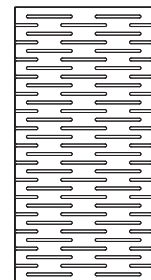
EZO: Plain both sides

PLW: Plain one side, whiteboard other side

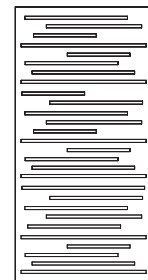
OPTIONAL PATTERNS



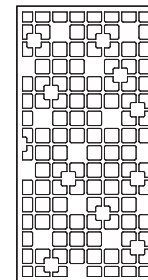
BAMBOO
CODE **BAM**



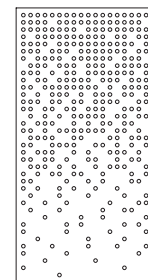
SLOTTED
CODE **SLT**



STAGGERED
CODE **STG**



LATTICE
CODE **LIT**

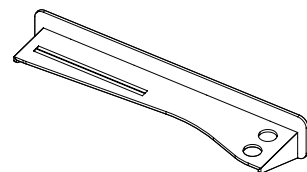


PIXELATED CIRCLES
CODE **PXC**

ADD-ONS

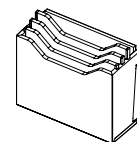
WHITEBOARD SHELF

CODE **O B 2 - S H F - 4 7 - 0 8 - 1 2 - X X X X**



WHITEBOARD FILE HOLDER

CODE **O B 2 - F I L - 1 5 - 1 4 - 1 2 - X X X X**



OBI MOBILE OFFICE DIVIDER

CODE **O B 2 - X X X - X X - X X - X X - X X X X X - X X X X**
PRODUCT STYLE WIDTH HEIGHT PATTERN COLOR (BASE LAYER*) COLOR (SURFACE LAYER*)

OB2-EZO-48-60-XXXX-NO PATTERN

Width 48" (1219mm), Height 60" (1524mm)

\$2,925

OB2-PLW-48-60-XXXX-NO PATTERN

Width 48" (1219mm), Height 60" (1524mm)

\$3,050

OB2-EZO-48-72-XXXX-NO PATTERN

Width 48" (1219mm), Height 72" (1828mm)

\$2,975

OB2-PLW-48-72-XXXX-NO PATTERN

Width 48" (1219mm), Height 72" (1828mm)

\$3,175

OB2-EZO-48-60-XXXX

Width 48" (1219mm), Height 60" (1524mm)

\$3,800

OB2-PLW-48-60-XXXX

Width 48" (1219mm), Height 60" (1524mm)

\$3,925

OB2-EZO-48-72-XXXX

Width 48" (1219mm), Height 72" (1828mm)

\$3,850

OB2-PLW-48-72-XXXX

Width 48" (1219mm), Height 72" (1828mm)

\$4,050

ADD-ONS

OB2-SHF-47-08-12-XXXX

EzoBord Shelf

\$375

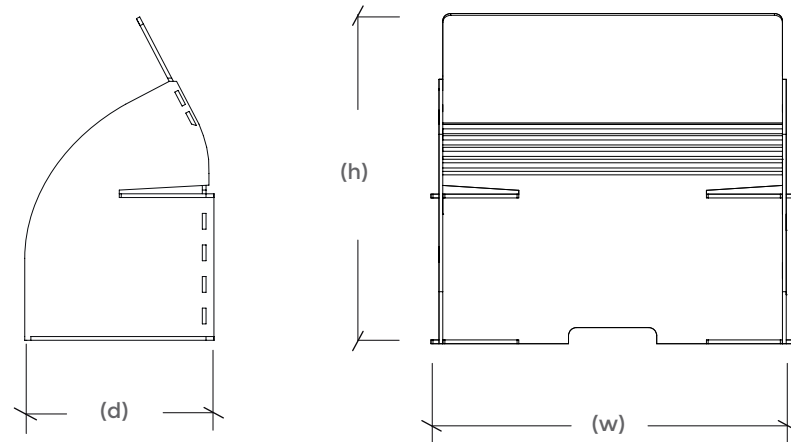
OB2-FIL-15-14-12-XXXX

EzoBord File Holder

\$325

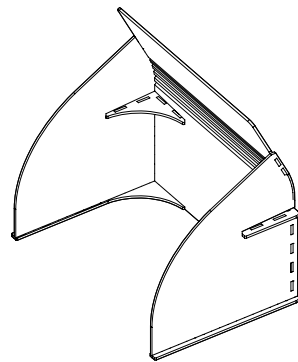
HOODY DESKTOP COVE

CODE **HDC - DTX - XX - XX - XX - XX - XXXX**
 PRODUCT STYLE DEPTH HEIGHT WIDTH THICKNESS COLOR

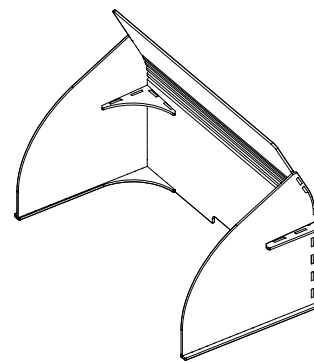


Standard cable mangement/monitor arm cut-out: 11" (280mm) w x 3" (75mm) h

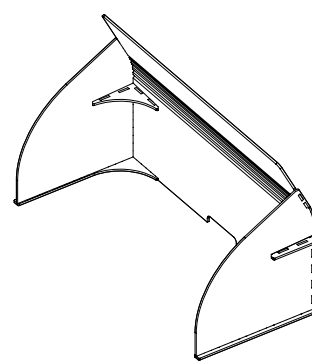
COVE TALL 48"
CODE **DTT**



COVE GRANDE 60"
CODE **DTG**



COVE VENTI 72"
CODE **DTV**



HDC-DTT-24-48-40-12-XXXX

Depth 24" (609mm), Width 48" (1219mm), Height 40" (1040mm)
Thickness 1/2" (12mm)

\$800

HDC-DTG-30-60-40-12-XXXX

Depth 30" (762mm), Width 60" (1524mm), Height 40" (1040mm)
Thickness 1/2" (12mm)

\$1,060

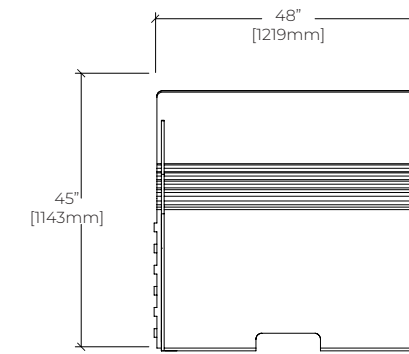
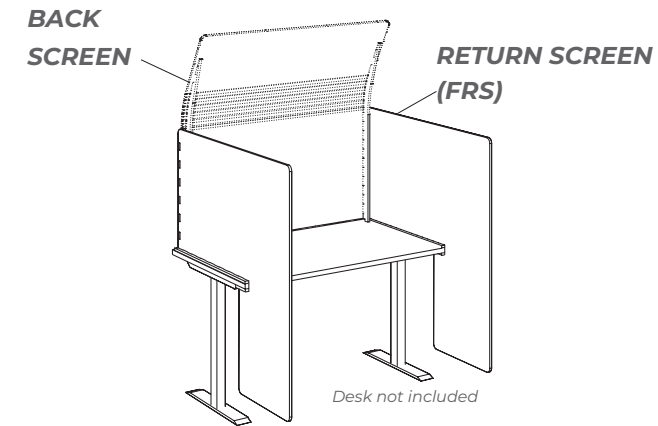
HDC-DTV-30-72-40-12-XXXX

Depth 30" (762mm), Width 72" (1828mm), Height 40" (1040mm),
Thickness 1/2" (12mm)

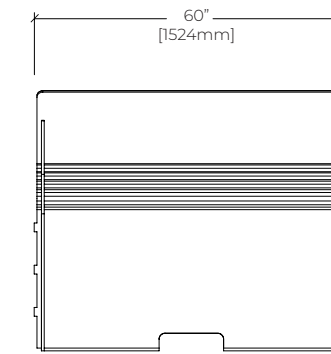
\$1,210

HOODY

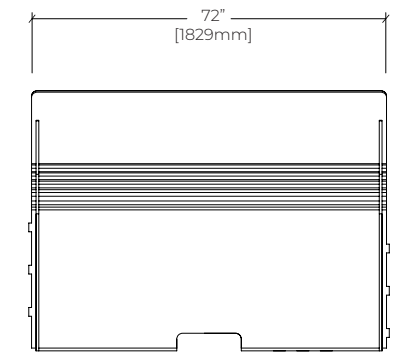
CODE (BACK SCREEN) **HDS - BSX - XX - XX - XX - XXXX**
 PRODUCT SIZE CODE WIDTH HEIGHT THICKNESS COLOR



HOODY TALL 48"
CODE **BST**



HOODY GRANDE 60"
CODE **BSG**



HOODY VENTI 72"
CODE **BSV**

Standard cable mangement/monitor arm cut-out: 11" (280mm) w x 3" (75mm) h

HDS-BST-48-45-12-XXXX

Width 48" (1219mm), Height 45" (1143mm), Thickness 1/2" (12mm)

\$520

HDS-BSG-60-45-12-XXXX

Width 60" (1524mm), Height 45" (1143mm), Thickness 1/2" (12mm)

\$870

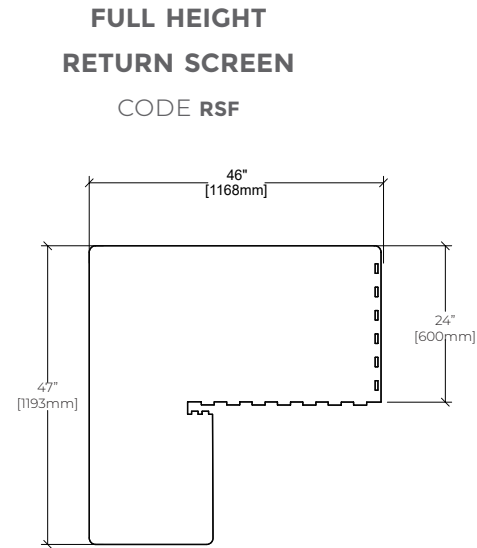
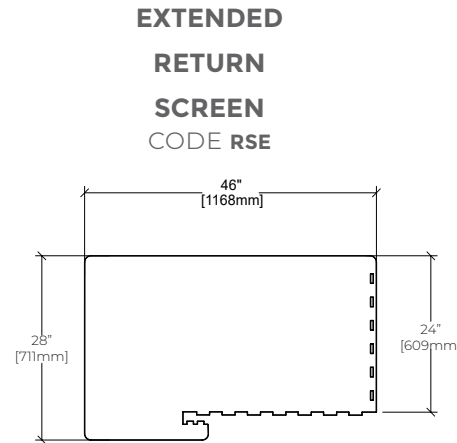
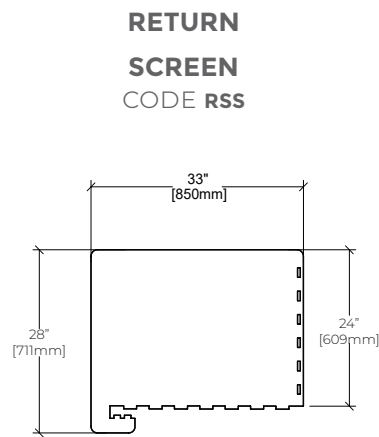
HDS-BSV-72-45-12-XXXX

Width 72" (1828mm), Height 45" (1143mm), Thickness 1/2" (12mm)

\$990

HOODY RETURN SCREEN

CODE (RETURN SCREEN) H D S - R S X - X X - X X - X X - X X X X
 PRODUCT STYLE DEPTH HEIGHT THICKNESS COLOR



HDS-RSS-24-24-12-XXXX

Depth 24" (609mm), Height 24" (609mm), Thickness 1/2" (12mm)

\$300

HDS-RSS-24-30-12-XXXX

Depth, 24" (609mm), 30" (762mm) Thickness 1/2" (12mm)

\$330

HDS-RSE-24-24-12-XXXX

Depth 24" (609mm), Height 24" (609mm), Thickness 1/2" (12mm)

\$360

HDS-RSE-30-24-12-XXXX

Depth 30" (762mm), Height 24" (609mm), Thickness 1/2" (12mm)

\$390

HDS-RSF-24-47-12-XXXX

Depth 24" (609mm), Height 47" (1193mm), Thickness 1/2" (12mm)

\$460

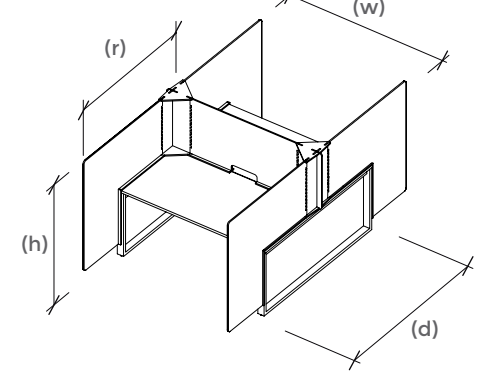
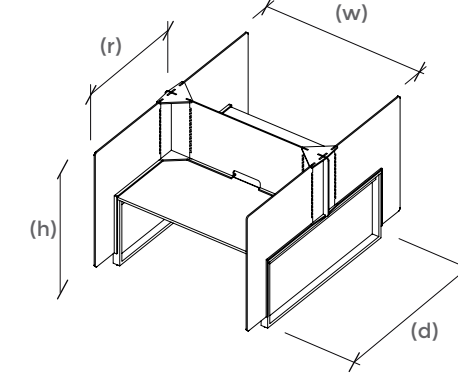
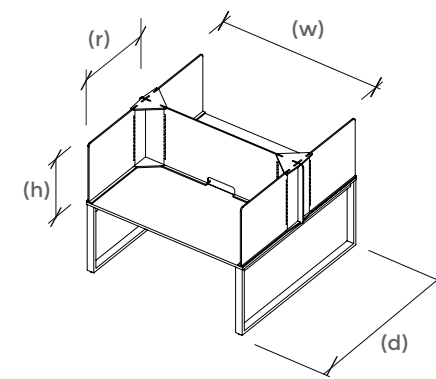
HDS-RSF-30-47-12-XXXX

Depth 30" (762mm), Height 47" (1193mm), Thickness 1/2" (12mm)

\$490

BENCH SCREEN SYSTEM

CODE B S S - X X - X X - X X - X X - X X X X
 PRODUCT DESK DEPTH DESK WIDTH RETURN STYLE THICKNESS COLOR



Standard cable mangement/monitor arm cut-out: 11" (280mm) w x 3" (75mm) h

Return Style: Desktop Return (DR)
(r): 31in (796 mm)
(h): 23in (585mm)

Configurations: 2 Station
4 Station
6 Station

Return Style: Medium Return (MR)
(r): 42in (1076mm)
(h): 47in (1194mm)

Configurations: 2 Station
4 Station
6 Station

Return Style: Full Return (FR)
(r): 53in (1343mm)
(h): 47in (1194mm)

Configurations: 2 Station
4 Station
6 Station

Additional Configurations Available

BSS-48-48-DR-12-XXXX

Depth 48" (1219mm), Width 48" (1219mm), Return style DR, Thickness 1/2" (12mm)

2 STN

\$960

4 STN

\$1,860

6 STN

\$2,750

BSS-60-48-DR-12-XXXX

Depth 60" (1524mm), Width 48" (1219mm), Return style DR, Thickness 1/2" (12mm)

\$1,320

\$1,980

\$2,880

BSS-48-60-DR-12-XXXX

Depth 48" (1219mm), Width 60" (1524mm), Return style DR, Thickness 1/2" (12mm)

\$1,320

\$1,980

\$2,880

BSS-60-60-DR-12-XXXX

Depth 60" (1524mm), Width 60" (1524mm), Return style DR, Thickness 1/2" (12mm)

\$1,370

\$2,070

\$3,120

BSS-48-72-DR-12-XXXX

Depth 48" (1219mm), Width 72" (1828mm), Return style DR, Thickness 1/2" (12mm)

\$1,470

\$2,070

\$3,120

BSS-60-72-DR-12-XXXX

Depth 60" (1524mm), Width 72" (1828mm), Return style DR, Thickness 1/2" (12mm)

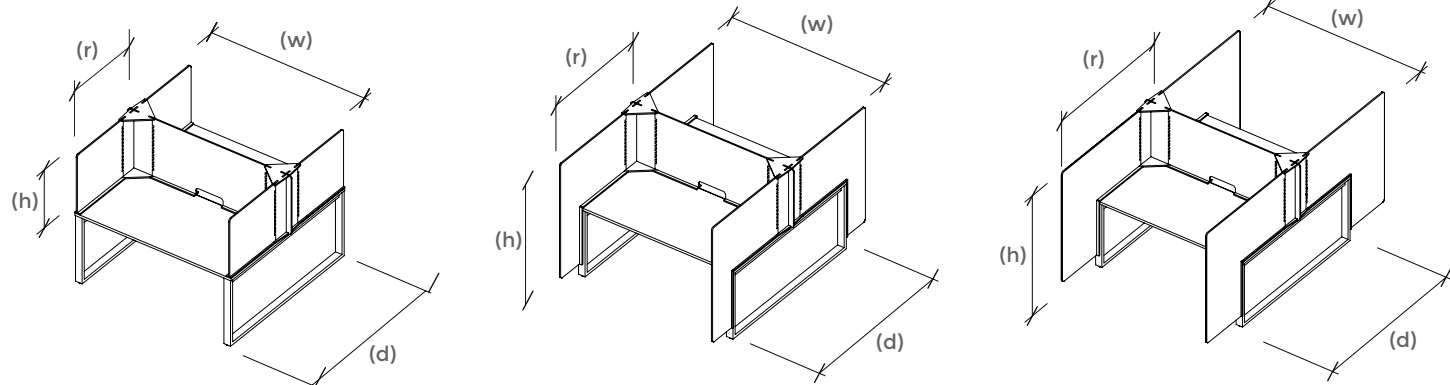
\$1,500

\$2,220

\$3,180

BENCH SCREEN SYSTEM

CODE B S S - X X - X X - X X - X X - X X X X
 PRODUCT DESK DEPTH DESK WIDTH RETURN STYLE THICKNESS COLOR



Standard cable management/monitor arm cut-out: 11" (280mm) w x 3" (75mm) h

Return Style: Desktop Return (DR)
 (r): 31in (796 mm)
 (h): 23in (585mm)

Return Style: Medium Return (MR)
 (r): 42in (1076mm)
 (h): 47in (1194mm)

Return Style: Full Return (FR)
 (r): 53in (1343mm)
 (h): 47in (1194mm)

Configurations: 2 Station
 4 Station
 6 Station

Configurations: 2 Station
 4 Station
 6 Station

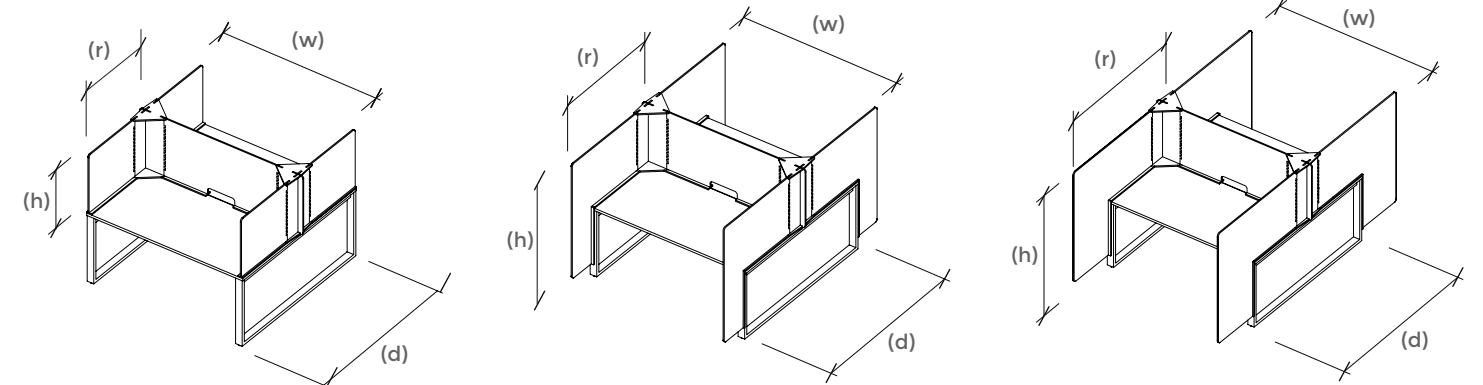
Configurations: 2 Station
 4 Station
 6 Station

Additional Configurations Available

| | 2 STN | 4 STN | 6 STN |
|--|---------|---------|---------|
| BSS-48-48-MR-12-XXXX Depth 48" (1219mm), Width 48" (1219mm), Return style MR, Thickness 1/2" (12mm) | \$1,440 | \$2,340 | \$3,590 |
| BSS-60-48-MR-12-XXXX Depth 60" (1524mm), Width 48" (1219mm), Return style MR, Thickness 1/2" (12mm) | \$1,680 | \$2,480 | \$3,680 |
| BSS-48-60-MR-12-XXXX Depth 48" (1219mm), Width 60" (1524mm), Return style MR, Thickness 1/2" (12mm) | \$1,680 | \$2,480 | \$3,680 |
| BSS-60-60-MR-12-XXXX Depth 60" (1524mm), Width 60" (1524mm), Return style MR, Thickness 1/2" (12mm) | \$1,820 | \$2,580 | \$3,880 |
| BSS-48-72-MR-12-XXXX Depth 48" (1219mm), Width 72" (1828mm), Return style MR, Thickness 1/2" (12mm) | \$1,820 | \$2,580 | \$3,880 |
| BSS-60-72-MR-12-XXXX Depth 60" (1524mm), Width 72" (1828mm), Return style MR, Thickness 1/2" (12mm) | \$1,870 | \$2,750 | \$4,130 |

BENCH SCREEN SYSTEM

CODE B S S - X X - X X - X X - X X - X X X X
 PRODUCT DESK DEPTH DESK WIDTH RETURN STYLE THICKNESS COLOR



Standard cable management/monitor arm cut-out: 11" (280mm) w x 3" (75mm) h

Return Style: Desktop Return (DR)
 (r): 31in (796 mm)
 (h): 23in (585mm)

Return Style: Medium Return (MR)
 (r): 42in (1076mm)
 (h): 47in (1194mm)

Return Style: Full Return (FR)
 (r): 53in (1343mm)
 (h): 47in (1194mm)

Configurations: 2 Station
 4 Station
 6 Station

Configurations: 2 Station
 4 Station
 6 Station

Configurations: 2 Station
 4 Station
 6 Station

Additional Configurations Available

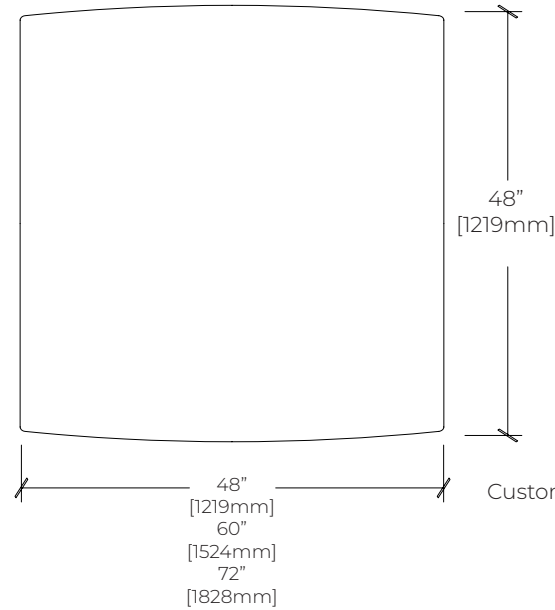
| | 2 STN | 4 STN | 6 STN |
|--|---------|---------|---------|
| BSS-48-48-FR-12-XXXX Depth 48" (1219mm), Width 48" (1219mm), Return style FR, Thickness 1/2" (12mm) | \$1,800 | \$2,700 | \$3,590 |
| BSS-60-48-FR-12-XXXX Depth 60" (1524mm), Width 48" (1219mm), Return style FR, Thickness 1/2" (12mm) | \$1,920 | \$2,880 | \$3,780 |
| BSS-48-60-FR-12-XXXX Depth 48" (1219mm), Width 60" (1524mm), Return style FR, Thickness 1/2" (12mm) | \$1,920 | \$2,880 | \$3,780 |
| BSS-60-60-FR-12-XXXX Depth 60" (1524mm), Width 60" (1524mm), Return style FR, Thickness 1/2" (12mm) | \$2,020 | \$3,080 | \$4,130 |
| BSS-48-72-FR-12-XXXX Depth 48" (1219mm), Width 72" (1828mm), Return style FR, Thickness 1/2" (12mm) | \$2,020 | \$3,080 | \$4,130 |
| BSS-60-72-FR-12-XXXX Depth 60" (1524mm), Width 72" (1828mm), Return style FR, Thickness 1/2" (12mm) | \$2,170 | \$3,330 | \$4,480 |

MODESTY SCREEN

CODE M S C - X X X - X X - X X - X X - X X X X
PRODUCT STYLE WIDTH HEIGHT THICKNESS COLOR

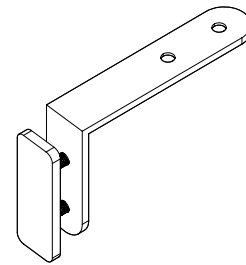
STYLE

ELLIPTICAL (ELP)



Custom Shapes Also Available

HARDWARE
 (Sold Separately)



PJ-15/17

MSC-ELP-48-48-12-XXXX

Width 48" (1219mm), Height 48" (1219mm), Thickness 1/2" (12mm) **\$410**

MSC-ELP-60-48-12-XXXX

Width 60" (1524mm), Height 48" (1219mm), Thickness 1/2" (12mm) **\$550**

MSC-ELP-72-48-12-XXXX

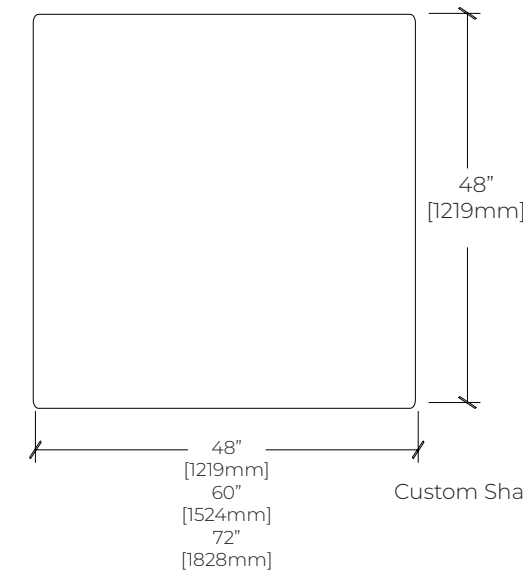
Width 72" (1828mm), Height 48" (1219mm), Thickness 1/2" (12mm) **\$610**

MODESTY SCREEN

CODE M S C - X X X - X X - X X - X X - X X X X
PRODUCT STYLE WIDTH HEIGHT THICKNESS COLOR

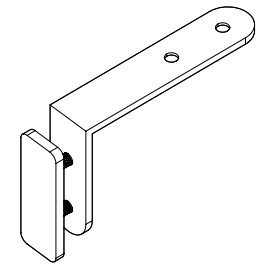
STYLE

RECTANGLE (REC)



Custom Shapes Also Available

HARDWARE
 (Sold Separately)



PJ-15/17

MSC-REC-48-48-12-XXXX

Width 48" (1219mm), Height 48" (1219mm), Thickness 1/2" (12mm) **\$410**

MSC-REC-60-48-12-XXXX

Width 60" (1524mm), Height 48" (1219mm), Thickness 1/2" (12mm) **\$550**

MSC-REC-72-48-12-XXXX

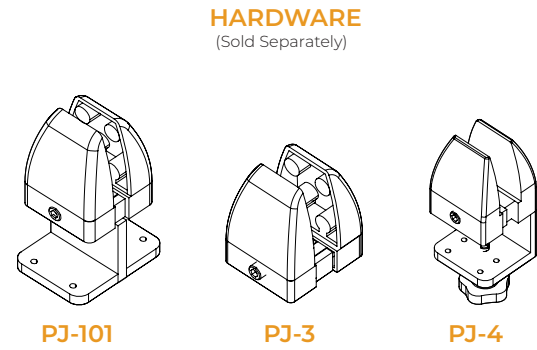
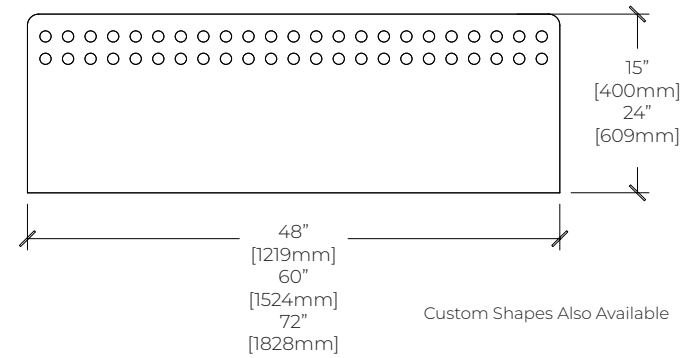
Width 72" (1828mm), Height 48" (1219mm), Thickness 1/2" (12mm) **\$610**

DESK SCREEN SYSTEM

STYLE

CODE **D S C - X X X - X X - X X - X X - X X X X**
PRODUCT STYLE WIDTH HEIGHT THICKNESS COLOR

CIRCULAR (CIR)



DSC-CIR-48-15-12-XXXX

Width 48" (1219mm), Height 15" (381mm), Thickness 1/2" (12mm) \$200

DSC-CIR-60-15-12-XXXX

Width 60" (1524mm), Height 15" (381mm), Thickness 1/2" (12mm) \$280

DSC-CIR-72-15-12-XXXX

Width 72" (1828mm), Height 15" (381mm), Thickness 1/2" (12mm) \$330

DSC-CIR-48-24-12-XXXX

Width 48" (1219mm), Height 24" (609mm), Thickness 1/2" (12mm) \$280

DSC-CIR-60-24-12-XXXX

Width 60" (1524mm), Height 24" (609mm), Thickness 1/2" (12mm) \$340

DSC-CIR-72-24-12-XXXX

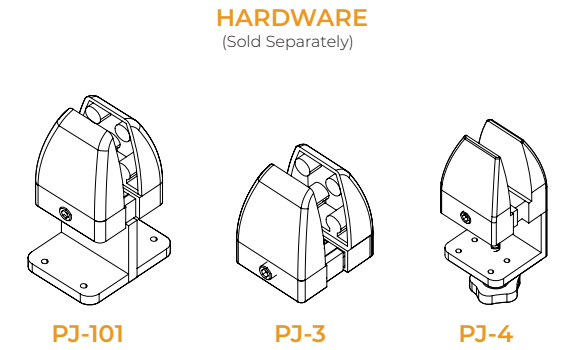
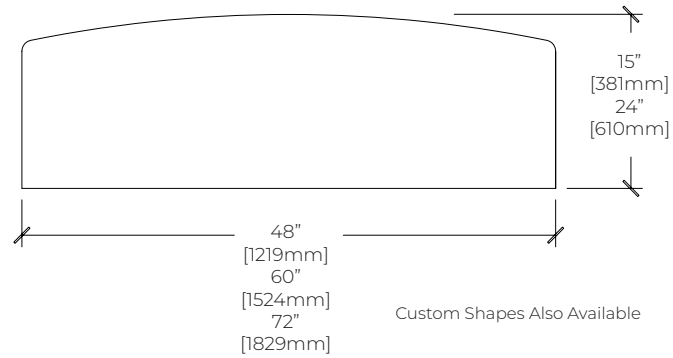
Width 72" (1828mm), Height 24" (609mm), Thickness 1/2" (12mm) \$400

DESK SCREEN SYSTEM

STYLE

CODE **D S C - X X X - X X - X X - X X - X X X X**
PRODUCT STYLE WIDTH HEIGHT THICKNESS COLOR

ELLIPTICAL (ELP)



DSC-ELP-48-15-12-XXXX

Width 48" (1219mm), Height 15" (381mm), Thickness 1/2" (12mm) \$180

DSC-ELP-60-15-12-XXXX

Width 60" (1524mm), Height 15" (381mm), Thickness 1/2" (12mm) \$250

DSC-ELP-72-15-12-XXXX

Width 72" (1828mm), Height 15" (381mm), Thickness 1/2" (12mm) \$300

DSC-ELP-48-24-12-XXXX

Width 48" (1219mm), Height 24" (609mm), Thickness 1/2" (12mm) \$250

DSC-ELP-60-24-12-XXXX

Width 60" (1524mm), Height 24" (609mm), Thickness 1/2" (12mm) \$320

DSC-ELP-72-24-12-XXXX

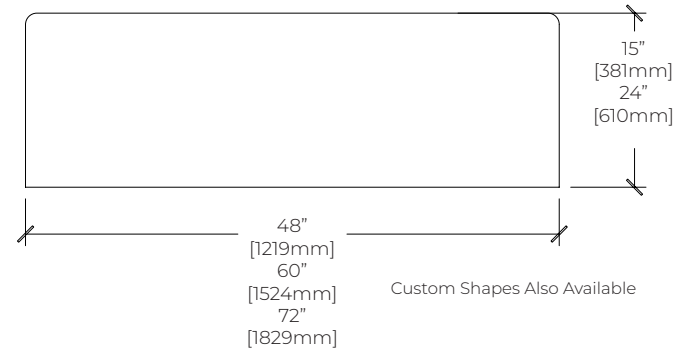
Width 72" (1828mm), Height 24" (609mm), Thickness 1/2" (12mm) \$370

DESK SCREEN SYSTEM

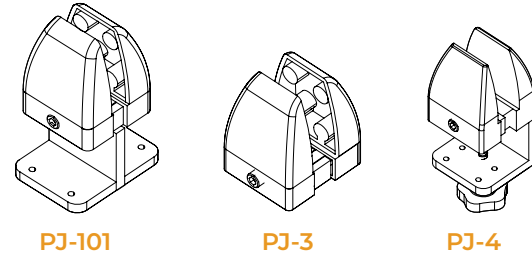
CODE **D S C - X X X - X X - X X - X X - X X X X**
 PRODUCT STYLE WIDTH HEIGHT THICKNESS COLOR

STYLE

RECTANGLE (REC)



HARDWARE (Sold Separately)



DSC-REC-48-15-12-XXXX

Width 48" (1219mm), Height 15" (381mm), Thickness 1/2" (12mm) \$180

DSC-REC-60-15-12-XXXX

Width 60" (1524mm), Height 15" (381mm), Thickness 1/2" (12mm) \$250

DSC-REC-72-15-12-XXXX

Width 72" (1828mm), Height 15" (381mm), Thickness 1/2" (12mm) \$300

DSC-REC-48-24-12-XXXX

Width 48" (1219mm), Height 24" (609mm), Thickness 1/2" (12mm) \$250

DSC-REC-60-24-12-XXXX

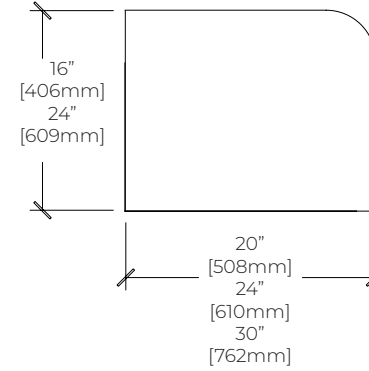
Width 60" (1524mm), Height 24" (609mm), Thickness 1/2" (12mm) \$320

DSC-REC-72-24-12-XXXX

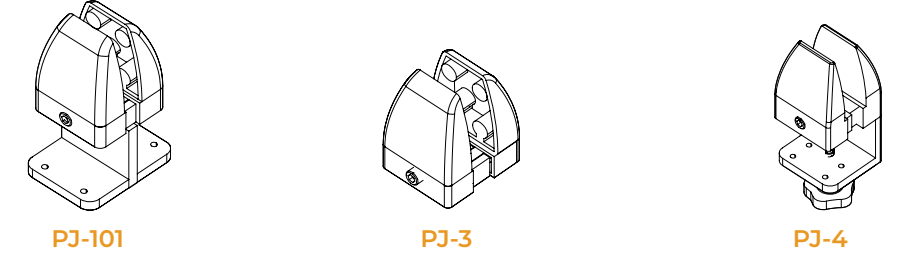
Width 72" (1828mm), Height 24" (609mm), Thickness 1/2" (12mm) \$370

DESK RETURN SCREEN

CODE **R T S - X X - X X - X X - X X X X**
 PRODUCT DEPTH HEIGHT THICKNESS COLOR



HARDWARE (Sold Separately)



RTS-20-16-12-XXXX

Depth 20" (508mm), Height 16" (406mm) Thickness 1/2" (12mm) \$110

RTS-24-16-12-XXXX

Depth 24" (609mm), Height 16" (406mm), Thickness 1/2" (12mm) \$120

RTS-30-16-12-XXXX

Depth 30" (762mm), Height 16" (406mm), Thickness 1/2" (12mm) \$130

RTS-20-24-12-XXXX

Depth 24" (609mm), Height 24" (609mm), Thickness 1/2" (12mm) \$140

RTS-24-24-12-XXXX

Depth 24" (609mm), Height 24" (609mm), Thickness 1/2" (12mm) \$140

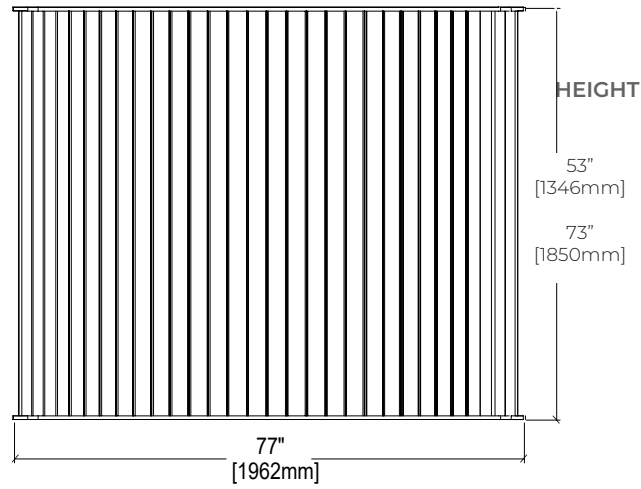
RTS-30-24-12-XXXX

Depth 30" (762mm), Height 24" (609mm), Thickness 1/2" (12mm) \$170

KAYRA CURVED SCREENS

CODE **KAY** - **XXX** - **XX** - **XX** - **XX** - **XX** - **XXXX**
 PRODUCT SHAPE CODE DEPTH WIDTH HEIGHT THICKNESS COLOR

"C" Shape (CCC)



KAY-CCC-23-77-53-12-XXXX

Depth 23" (582mm), Width 77" (1962mm), Height 53" (1345mm), Thickness 1/2" (12mm)

\$1,290

KAY-CCC-23-77-73-12-XXXX

Depth 23" (582mm), Width 77" (1962mm), Height 73" (1850mm), Thickness 1/2" (12mm)

\$1,500

KAY-SSS-25-81-53-12-XXXX

Depth 25" (637mm), Width 81" (2049mm), Height 53" (1345mm), Thickness 1/2" (12mm)

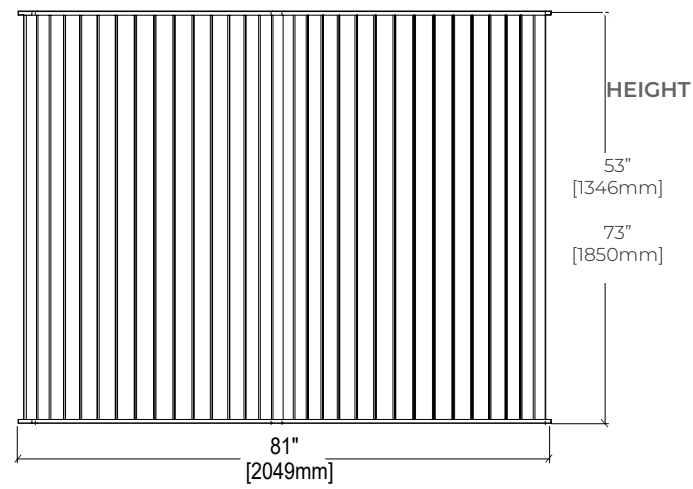
\$1,330

KAY-SSS-25-81-73-12-XXXX

Depth 25" (637mm), Width 81" (2049mm), Height 73" (1850mm), Thickness 1/2" (12mm)

\$1,550

"S" Shape (SSS)

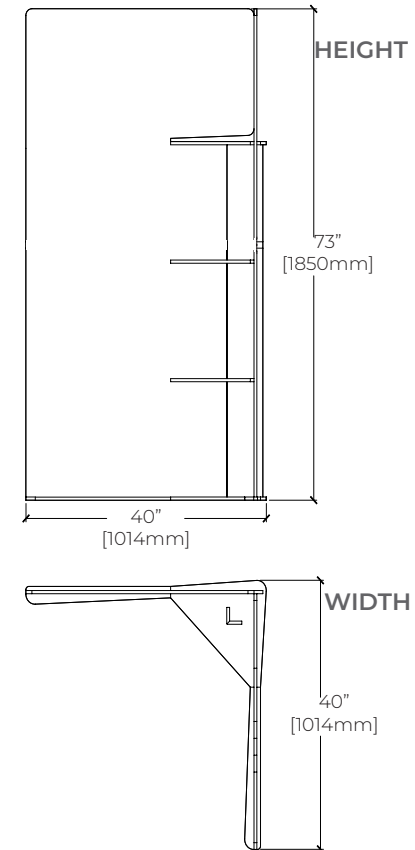


KULMA CORNER SCREENS

CODE **KLS** - **XXX** - **XX** - **XX** - **XX** - **XX** - **XX** - **XXXX**
 PRODUCT SHAPE CODE DEPTH WIDTH HEIGHT HEIGHT THICKNESS COLOR

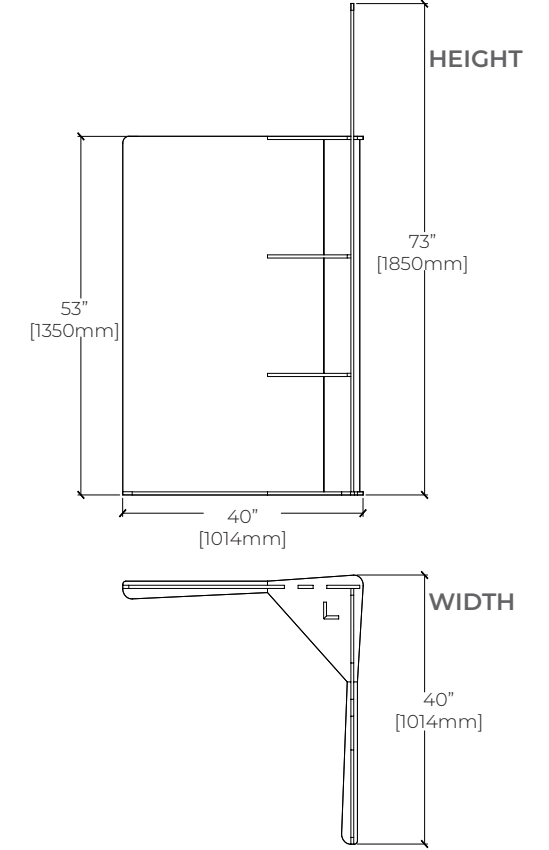
Kulma Corner Screen

Single Height (SH)



Kulma Corner Screen

Variable Height (VH)



KLS-VH-40-40-73-53-12-XXXX

Depth 40" (1016mm), Width 40" (1016mm), Height 1 73" (1854mm), Height 2 53" (1854mm), Thickness 1/2" (12mm)

\$1,480

KLS-SH-40-40-73-73-12-XXXX

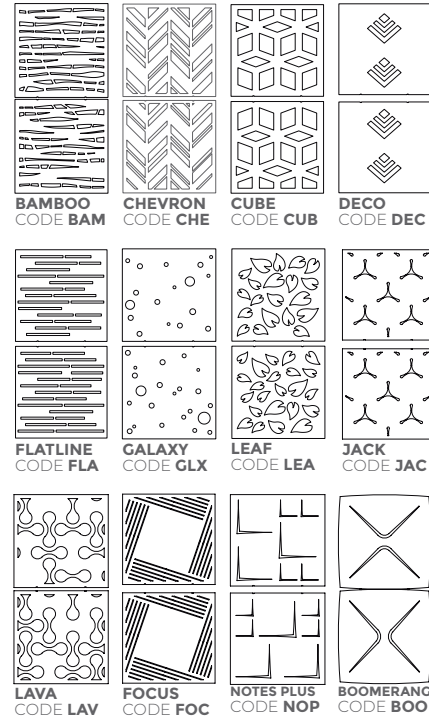
Depth 40" (1016mm), Width 40" (1016mm), Height 1 73" (1854mm), Height 2 73" (1855mm), Thickness 1/2" (12mm)

\$1,480

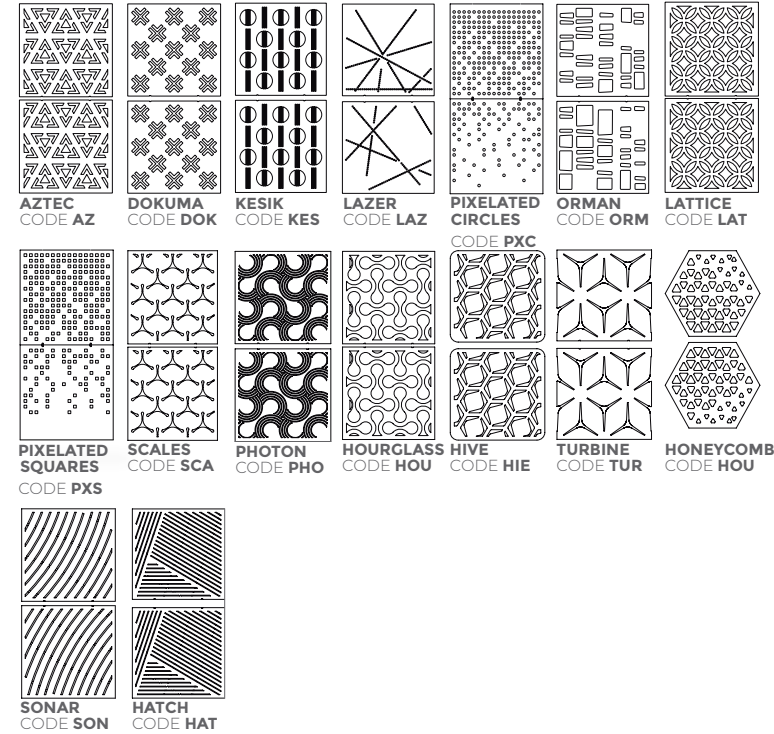
WORK ZONE DIVIDERS MODULAR

CODE **W Z M - X X - X X X - X X X - X X X X - X X - X X X X**
 PRODUCT TIER PATTERN WIDTH LENGTH THICKNESS COLOR

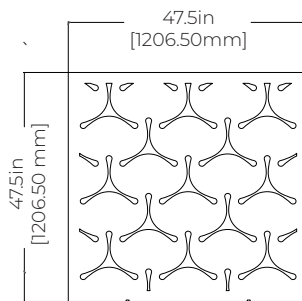
TIER A PATTERNS



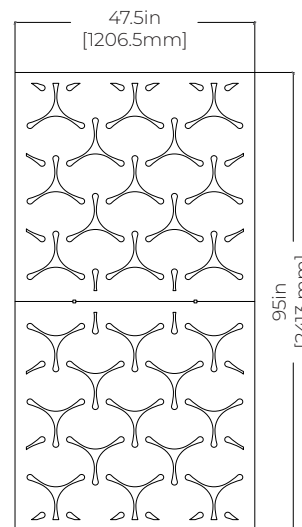
TIER B PATTERNS



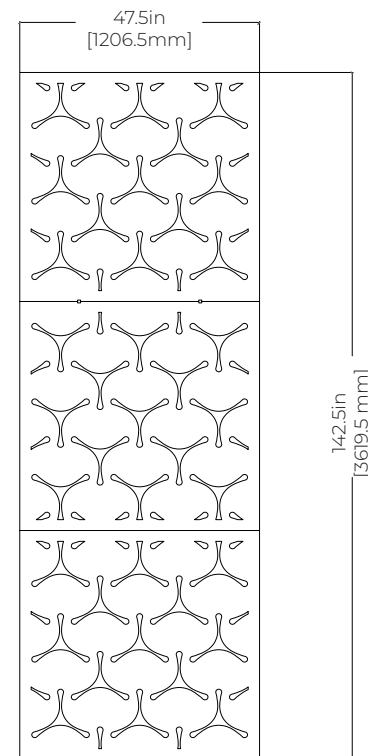
1 Module



2 Modules



3 Modules



Contact us for custom corner radius.

WORK ZONE DIVIDERS MODULAR

CODE **W Z M - X X X - X X X - X X X X - X X - X X X X**
 PRODUCT PATTERN WIDTH LENGTH THICKNESS COLOR

TIER A

WZM-XXX-47.5-47.5-12-XXXX

Width 47.5" (1206mm), Length 47.5" (1206mm),
 Thickness 1/2" (12mm)

\$590

WZM-XXX-47.5-95-12-XXXX

Width 47.5" (1206mm), 95"(2413mm),
 Thickness 1/2" (12mm)

\$960

WZM-XXX-47.5-142.5-12-XXXX

Width 47.5" (1206mm), Length 142.5"(3619mm),
 Thickness 1/2" (12mm)

\$1,340

TIER B

WZM-XXX-47.5-47.5-12-XXXX

Width 47.5" (1206mm), Length 47.5" (1206mm),
 Thickness 1/2" (12mm)

\$650

WZM-XXX-47.5-95-12-XXXX

Width 47.5" (1206mm), 95"(2413mm),
 Thickness 1/2" (12mm)

\$1,020

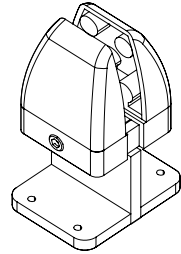
WZM-XXX-47.5-142.5-12-XXXX

Width 47.5" (1206mm), Length 142.5"(3619mm),
 Thickness 1/2" (12mm)

\$1,400

HARDWARE

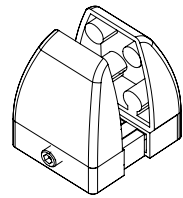
DESK AND MODESTY SCREEN BRACKETS



PJ101

Compatible with material 1/2" (12mm) or 11/16" (18mm) thick. Surface thickness limited to 1" (25mm) - 1 1/4" (70mm)

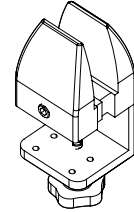
\$44 Unit



PJ3

Compatible with material 1/2" (12mm), or 11/16" (18mm) thick.

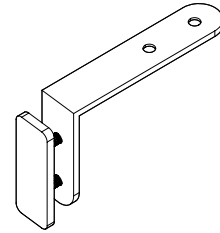
\$38 Unit



PJ4

Compatible with material 1/2" (12mm) or 11/16" (18mm) thick. Surface thickness limited to 1" (25mm) - 1 1/4" (70mm)

\$44 Unit

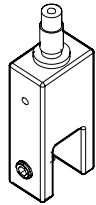


PJ 15/17

Compatible with material 1/2" (12mm) and 11/16" (18mm)

\$34 Unit

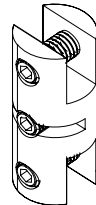
WORK ZONE DIVIDER CLAMPS AND SUSPENSION KIT



CBG-C

Compatible with Upper and Lower Suspension Housing. Intended for use with 3/8" (9mm) and 1/2" (12mm) material. Specify placement on material for use with larger thicknesses.

\$50 Unit



CVD

Clamp intended to connect two 3/8" (9mm) or 1/2" (12mm) material. Specify placement on material.

\$38 Unit



CF6-01

Ceiling fitting to be used with mechanical fastener. Includes 13'-1 1/2" (4000mm) of cable. Brass Locator accepts #8 Screws, not included.

\$38 Unit

CONDITION OF SALE, RETURN POLICY & WARRANTY FOR AYRSONICS USA LLC INC.

DEFINITIONS

"Purchaser" refers to the organization or person who accepts a quotation or offer for the sale of "Goods" from the Seller.

"Seller" refers to [AYRSONICS USA LLC USA LLC] or as [ASSIGNEE] "Goods" or "Products" refers to the articles to be supplied to the Purchaser by the AYRSONICS USA LLC. All "Products" are made-to-order, with the exception of raw materials such as sheets and hardware. "Quotation" or "Quote" is the calculated cost on requested products based on specifications provided by the Purchaser to AYRSONICS USA LLC.

"Order" refers to a purchase order, a blanket purchase agreement, a blanket purchase order, a job or work order, or other mechanism for ordering Products.

"Shop Drawings" refer to a set of drawings produced by AYRSONICS USA LLC to depict Preliminary, Quote-Level, Proposal, Sign-off, Manufacturing, and Installation details pertinent to the successful completion of a project. All drawings are submitted to the Purchaser by AYRSONICS USA LLC.

"Design Partner" refers to any organization or person who may make a significant contribution to the intellectual direction of a research proposal or a research project.

"Project" shall mean the research activities necessary to achieve a research, development, and /or formation, objective of a design proposal, or design idea. The deliverables of which address a technical or functional ability.

"Background Intellectual Property" refers to any and all intellectual property conceived, developed, made or acquired by AYRSONICS USA LLC prior to the collaboration of a Project, with a Design Partner or Purchaser.

GOVERNING PROVISIONS:

These Terms and Conditions govern any Quotation, Order Acknowledgment, Invoice, or any agreement, order, or sale that may result from any contract, and is expressly limited to and made conditional upon these Terms and Conditions becoming part of the Agreement between the Purchaser and the Seller [AYRSONICS USA LLC]. Any variation to these Terms and Conditions contained herein, whether contained in a request for Quotation, Purchase Order, or other document by the Purchaser including any special Terms and Conditions agreed upon between the parties are hereby objected to and shall be inapplicable unless agreed to in writing by AYRSONICS USA LLC.

SALES QUOTE INFORMATION:

Acceptance of the quotation by the Purchaser constitutes a binding agreement. Prices quoted by AYRSONICS USA LLC are based on standard EzoBord products as detailed in the Price and Product Guide and on information provided by the Purchaser. Any changes to standard

EzoBord products including but not limited to size or pattern, will be classified as a "custom" product. Pricing of custom products is based on specifications provided by Purchaser and will be priced at the discretion of AYRSONICS USA LLC.

Additional charges may apply where the scope of work varies from that set out in the quote. Prices are prepared in Canadian dollars. Delivery and taxes may be subject to change and are based on point of transfer. AYRSONICS USA LLC does not provide quotes for installation. Quotes are valid for a period of 30 days, after which pricing may change.

Possession of the EzoBord Price List or any other literature shall not imply AYRSONICS USA LLC willingness to sell to the holders and shall not be constructed as a direct offer of sale. AYRSONICS USA LLC reserves the right to make changes at any time and without prior notice to prices, colors, materials, specifications, design, and models offered in the price list, as well as discontinue product at any time without prior notice.

ORDER INFORMATION:

AYRSONICS USA LLC requires that all orders be submitted in writing. All orders which require fabrication shall include detailed shop drawings. Once all specifics (size, thickness, pattern, color etc.) have been confirmed, the Purchaser will receive an Order Acknowledgment which will outline items ordered, pricing, ship-to and bill-to details. Orders with missing, or incorrect information may delay lead times. A production date cannot be established until Purchaser has provided all related information and documents, such as deposit payments, and signed shop drawings pertaining to the order. If the Purchaser does not agree with any details outlined in the Order Acknowledgment, AYRSONICS USA LLC must be notified by email within three business days of receiving the Order Acknowledgment. All orders are subject to a minimum net charge of \$250.

SHOP DRAWINGS:

If the purchase order requires shop drawings, AYRSONICS USA LLC shall coordinate all such drawings, will review them for accuracy, completeness, and compliance with purchase order requirements. Sign-off by Purchaser constitutes acceptance of all technical details depicted in the drawings; including all dimensions, colors, patterns, quantities, and design criteria. Sign-off is a requirement for the initiation of AYRSONICS USA LLC fabrication. Information contained in the Shop Drawings are the sole property of AYRSONICS USA LLC. Any reproduction in part or as a whole without the written permission of AYRSONICS USA LLC is prohibited.

RESEARCH, DEVELOPMENT, RESULTS, AND INTELLECTUAL PROPERTY:

The Purchaser and/or Design Partner agrees that any

design proposal, shop drawing, or rendering, including but not limited to, specifications, formulae, improvements, processes, methods, techniques, prototypes, data, reports, or discoveries, contains proprietary information and material is owned by AYRSONICS USA LLC and is protected by applicable intellectual property legislation. The Purchaser and/or Design Partner may not use the Intellectual Property for any purpose other than that contracted in a written agreement between AYRSONICS USA LLC and the Purchaser.

A written collaboration agreement shall be signed by the Purchaser and/or Design Partner before any research project is initiated. Purchaser and/or Design Partner agrees any Design Proposals or Research Project Design intent, preliminary design, or design development shall be performed by, in collaboration with, or under the direct supervision of AYRSONICS USA LLC. All written and oral information and material disclosed or provided by AYRSONICS USA LLC to the Purchaser is confidential information. The Purchaser shall use all reasonable endeavors not to disclose to any third party any Confidential Information nor use for any purpose except expressly permitted by AYRSONICS USA LLC. Purchaser may be required to sign a Non-disclosure Agreement. All Background Intellectual Property used in connection with the Project shall remain the property of AYRSONICS USA LLC. AYRSONICS USA LLC has the right to reuse methods and approaches developed under this agreement in other projects for other purposes.

PRINT PROGRAM:

A digital proof sign-off is required prior to manufacturing. Sign-off by Purchaser constitutes acceptance of all technical details depicted in the digital proof. A digital proof does not guarantee correct color matching. Physical proof must be requested by Purchaser to verify final color of product as there may be a variation between the digital proof and printed product. AYRSONICS USA LLC shall not be liable for any deviations, errors, and faults that remained unnoticed in the proofs that were approved by the Purchaser or for any spelling or grammatical errors in the graphic file provided by the Purchaser.

CHANGES AND CANCELLATIONS:

After AYRSONICS USA LLC acknowledgment of a Purchaser's order, the order may not be changed or canceled by Purchaser without the written consent of AYRSONICS USA LLC. Orders already in production may not be eligible for cancellation or change or may be subject to a cancellation fee, restocking fee, and payment for all product which has been cut, at the discretion of AYRSONICS USA LLC management. If the order requires major changes, the order may be sent back to the quoting department for new pricing. [Major changes may include but are not limited to the addition of new items, dimension, pattern, and design feature changes]. Sheet order changes after payment may be

subject to a cancellation or a change order fee of 25%. AYRSONICS USA LLC reserves the right to cancel an order at any time.

RETURNS, CLAIMS, AND INQUIRIES:

All return requests are handled by AYRSONICS USA LLC authorized dealers or AYRSONICS USA LLC Customer Service Department. All return requests must be submitted within 30 days from date of receipt. No returns of goods will be accepted without consent and shipping instructions from AYRSONICS USA LLC. If authorized, Purchaser must complete AYRSONICS USA LLC Product Return Request Form and ship all product to AYRSONICS USA LLC within one week of receiving the Product Return Request Form. All authorized return of goods must be securely packaged by the Purchaser in order to reach AYRSONICS USA LLC without damage. A minimum restocking charge of 50% on fabricated products, is made on all authorized returns for credit or refund, provided goods are received by AYRSONICS USA LLC in the condition in which they left the factory. Raw materials such as sheets and hardware are subject to a minimum 25% restocking fee. No credit will be given if goods cannot be reused. Custom order items are in no event subject to return.

PRICE AND PAYMENT:

All published prices are list prices. Prices on an Order Acknowledgment are net. Any products sold is the property of AYRSONICS USA LLC and shall remain AYRSONICS USA LLC property until fully paid. The Purchaser agrees to perform all acts which may be necessary to assure retention of title to such products to AYRSONICS USA LLC, until such time as the goods have been paid for in full. Invoices will be sent by AYRSONICS USA LLC to the Purchaser and will be as detailed in the Order Acknowledgment and in accordance with the agreed schedule in the Order Acknowledgment. Not included in the list price is special or export packing, freight, unpacking or installation. A 50% deposit amount against the total amount of the project, is required for Cash in Advance Purchasers, prior to scheduling production. The 50% final payment must be received by AYRSONICS USA LLC prior to shipping. Sheet orders require a 100% deposit for Cash in Advance Purchasers.

NET TERMS:

Purchaser on terms shall pay invoices within 15 days after the date of shipment or pickup, subject to the Purchaser passing credit approval. All payments are fully due. Purchaser agrees not to withhold payment on any invoice because of partial delivery or open punch list items. If payment is not received by the due date, interest will accrue on all unpaid amounts at the rate of 1.5 % per month. Custom orders may be subject to a

50% deposit. Maximum account Credit limit is \$50,000, unless otherwise authorized in writing by AYRSONICS USA LLC. Accounts with an overdue balance in excess of 15 days may be subject to having their terms revoked. All claims arising from invoices must reach AYRSONICS USA LLC within five (5) business days from the date of the invoice.

SUSPENSION:

In the event that the Purchaser defaults in the payments of any sum due to AYRSONICS USA LLC, or in the event that the Purchaser's financial condition becomes unsatisfactory to AYRSONICS USA LLC, AYRSONICS USA LLC shall have the right, upon notice to the Purchaser, to suspend or discontinue shipment of any Goods until payment has been remitted without incurring any liability to the Purchaser for non-delivery or delay in delivery.

Cash payment or security satisfactory to AYRSONICS USA LLC may be required by AYRSONICS USA LLC for future deliveries. AYRSONICS USA LLC may require cash payments in advance for future deliveries, or may terminate any contract in total, and the Purchaser shall be liable for all costs incurred by AYRSONICS USA LLC including but not limited to, attorney fees, collection agency fees, accrued interest, and administrative fees.

TAXES:

Prices are in the currency indicated on the AYRSONICS USA LLC Order Acknowledgment. The prices shown in the EzoBord price list do not include any provincial, or federal, or local taxes. All such taxes applicable to the sale of the products are the responsibility of the Purchaser and any tax or taxes will be added to the invoice as a separate charge to be paid by the Purchaser. If the Purchaser claims an exemption from any tax, the Purchaser shall submit to the Seller the appropriate exemption certificates.

CODE RESTRICTION:

All EzoBord products may be subject to fire and/or building codes applicable to the specific purpose they are being purchased for. However, since codes may vary from area to area, the Purchaser is solely responsible for the proper application of the purchased EzoBord items within the limitation of such codes.

TOLERANCES:

All dimensions must be limited by a specified tolerance. When not specified it is understood that AYRSONICS USA LLC normal tolerances and standards shall apply. Dimensions in the EzoBord price list are shown in both inches and mm. The metric dimensions are the more accurate, that is, imperial dimensions may be rounded

up or down. When Purchaser has submitted own plans and/or specifications, AYRSONICS USA LLC will not be responsible for the design and fitting of parts. The conforming of AYRSONICS USA LLC products to the specified tolerance is sufficient evidence as to the correctness of the product. Standards of finish, quality, and appearance shall, unless specified in writing, be the normal standards of AYRSONICS USA LLC.

LIMITED WARRANTY:

AYRSONICS USA LLC warrants the construction and the finish of all our products to be free from defects in materials, and workmanship for a period of one (1) year from the date of purchase. This warranty does not apply to components not manufactured by AYRSONICS USA LLC which are subject to the specific warranties of those manufacturers, if any.

AYRSONICS USA LLC cannot be held responsible for variations in dye lot from order to order. All EzoBord sheet goods are subject to a reasonable degree of variation in color and material thickness. This possibility should be expected by the Purchaser. Repair or replacement of any defective component covered by the AYRSONICS USA LLC warranty will be made at no charge to the original Purchaser during the warranty period. Labor required to facilitate the repair or replacement will be the responsibility of the original selling dealer. This warranty policy does not apply to defects resulting from negligence, misuse, alteration, improper cleaning, stains, or accidents. AYRSONICS USA LLC judgment will be final in all matters concerning the condition of the products, the cause or nature of the defect, and the necessity or manner of repair.

This warranty applies to products sold in Canada only, and is made only to the original Purchasers acquiring our products through authorized dealers, directly from AYRSONICS USA LLC, or from other specifically authorized to sell our products.

SHIPPING:

At time of order entry, Purchaser must select one of two methods of freight payment.

- 1.Ex Works - point of shipment, freight collect
- 2.Freight On Board (F.O.B)

Unless otherwise agreed upon in writing, delivery of the Goods shall take place at the address specified by the Purchaser on the date specified by AYRSONICS USA LLC. The Purchaser shall make all arrangements necessary to take delivery of the Goods whenever they are tendered for delivery. The date of shipment specified by AYRSONICS USA LLC is an estimate only. Time for delivery shall not be of the essence of the contract. If AYRSONICS USA LLC is unable to ship the Goods for reasons beyond its control, then AYRSONICS USA LLC shall be entitled to place the Goods in storage until such a time as delivery may be effective.

RISK, TITLE, AND FREIGHT CLAIMS:

If Goods are sold via Ex Works, the Purchaser incurs all transport costs. AYRSONICS USA LLC is not responsible for damage which may occur in transit or in storage.

The carrier signs for all goods received and it is the Purchasers responsibility to examine goods upon receipt and to file any claims for any concealed damage to the products in accordance with the carrier's terms and conditions, within five (5) days of delivery. All packaging should be retained for inspection by the carrier. Failure by the Purchaser to make any claim against AYRSONICS USA LLC within five (5) days shall constitute acceptance of the goods and a waiver of the right to return due to defects, errors or shortages.

If Purchaser chooses to have AYRSONICS USA LLC arrange for shipping, the Goods are F.O.B, and FREIGHT is added to the order/invoice as a separate line item. AYRSONICS USA LLC will ship the Products using their preferred freight carrier. Risk of loss or damage to the Products shall transfer to the Purchaser from the time of delivery or deemed delivery. The Purchaser shall be entitled to replacement Goods where the Goods have been damaged during transportation. The Purchaser must notify AYRSONICS USA LLC within 24 hours of receipt of Goods. Packing slip must be signed off as "received as damaged at the time of receipt" by the Purchaser Ownership/ title of the Products shall not pass to the Purchaser until AYRSONICS USA LLC has received payment in full for all the Products and all other sums due to AYRSONICS USA LLC from the Purchaser on any account. In the event that AYRSONICS USA LLC does not receive payment, AYRSONICS USA LLC reserves the right to reclaim all delivered Goods.

METHODS OF SHIPPING AND ROUTING:

AYRSONICS USA LLC reserves the right to select the method of transportation and carrier of choice for any shipment. If product is shipped to the Purchaser's or dealers dock, such docking facilities shall be equipped to handle a 53' tractor trailer with appropriate personnel to off-load the truck. Neither AYRSONICS USA LLC nor the carrier is responsible for offloading the truck. Product that cannot be delivered as above may be delivered to a warehouse, with redelivery at Purchaser's expense.

If requested shipping date is more than 90 days from the date of order, AYRSONICS USA LLC shall have the right to use the published list price effective at the time of shipment. After 30 days the order may be subject to storage fees. AYRSONICS USA LLC will not accept charges for expense incurred by the Purchaser in expediting shipments. AYRSONICS USA LLC will not accept charges for the repair of damage by others.

STORAGE:

In the event the Purchaser requests postponement of delivery beyond the scheduled shipping date after the Goods have become work in progress, or at the time when AYRSONICS USA LLC is about to make shipment, AYRSONICS USA LLC may transfer the Goods to storage for Purchaser's account and at Purchaser's risk and expense. Such transfer to storage shall be deemed delivery to Purchaser for all purposes, including invoicing and payment. After 30 days, the Purchaser may be subject to a minimum of \$50/month or \$1.50/square foot/month in storage fees.

LEAD TIMES:

Lead times are as follows:

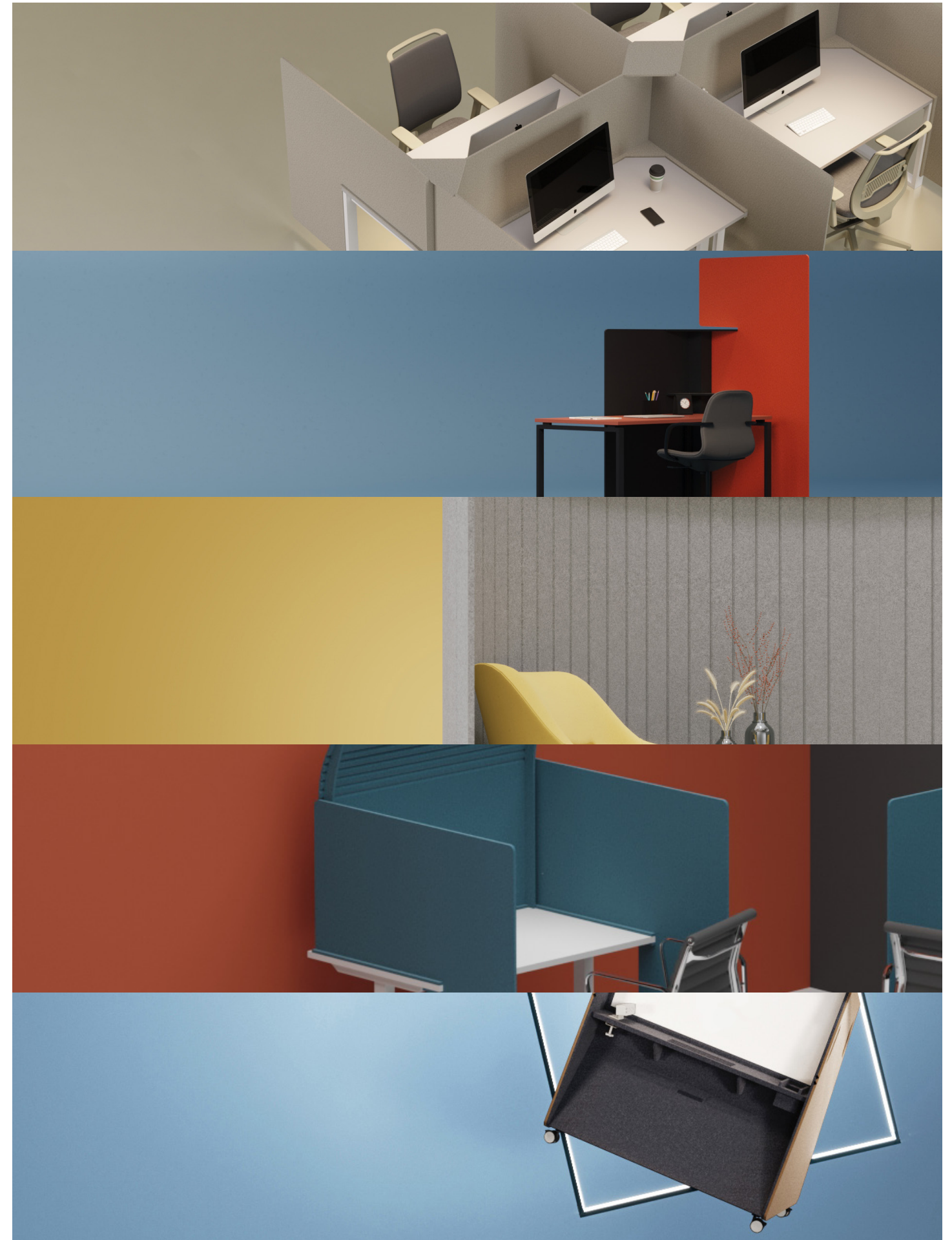
- Raw materials such as sheets and hardware: 3-4 business days after payment has been received in full.
- Standard products: 4-5 weeks upon approval of shop drawings and deposit payments being received.
- Custom products: 4-6 weeks upon approval of shop drawings and deposit payments being received.
- Printing: 6-8 weeks upon approved shop drawings and deposit payments being received.
- Shop Drawings: Are allotted 3 business days for completion. Custom products may require additional time. Large orders may be subject to staggered delivery dates and lead times.

DELAYS:

AYRSONICS USA LLC Order Acknowledgment will state a shipping date which is AYRSONICS USA LLC best estimate at the time the order is acknowledged. However, AYRSONICS USA LLC shall not incur any obligation or liability to Purchaser for failure to arrive by a specified date.

FORCE MAJEURE:

AYRSONICS USA LLC shall not be under any liability for any failure to supply goods or otherwise to perform the contract from any cause whatsoever beyond AYRSONICS USA LLC direct control. AYRSONICS USA LLC shall not be liable for any loss or damage resulting from any delay or failure in shipment or order failure to perform all or any part of the agreement between the parties with respect to the goods shown on the order acknowledgment where such delay, failure, loss, or damage is the proximate result of any act of any government authority or political subdivision thereof, revolution, riot, civil disorder or disturbance, act of enemies, delay or default in transportation, strike disputes among or between labor unions or other labor disputes, delay or inability in obtaining material and facilities, fire, flood, act of God or any cause not within reasonable control of the



UNITED STATES

Ayrsonics Mid West LLC

170 Prairie Lake Rd
East Dundee, IL 60118
1-800-517-0686
sales@mw.ayrsonics.com

Ayrsonics Southwest LLC

8394 Eton Avenue
Canoga Park, CA 91304
213-833-9700
sales@sw.ayrsonics.com

Ayrsonics New England LLC

32 Hampshire Rd
Salem, NH 03079
603-824-9338 ext. 3001
603-327-4349
sales@ne.ayrsonics.com

CANADA

Ayrsonics Inc - Ontario

825 Trillium Drive
Kitchener, Ontario N2R 1J9
1-844-441-1122
sales@ayrsonics.com

Ayrsonics Inc - Alberta

#9112 – 52nd St. S.E.
Calgary, Alberta T2C 5A9
1-844-441-1122
sales@ayrsonics.com

EzoBord Corporate Office

6845 Rexwood Road,
Unit 7 Mississauga,
ON L4V 1S5 Canada
+1 416 665 3571
info@ezobord.com

CENTRAL & LATIN AMERICA

EzoBord Costa Rica SRL

100 Sur 25 Oeste Recope
Bodega #18 Ochomogo, Cartago
+506 8842 4613
info-latam@ezobord.com

EzoBord - LATAM

Buenos Aires, Argentina
+54 9 11 5657 1793
info-latam@ezobord.com

UNITED KINGDOM

EzoBord UK Ltd

Unit 20 Westwood Business Park
Margate, Kent. CT9 4JJ
+44 1843 264027
sales@ezobord.co.uk

IRELAND

EzoBord Ireland

Unit 523, Greenogue Business Park
Rathcoole, Co. Dublin D24 RY89
+353 (0)1 443 3599
sales@ezobord.ie

FOLLOW US



EzoBord.com